

# Red-E-Form<sup>®</sup> ISLAND FORMS

---

**PIPE GUARDS**

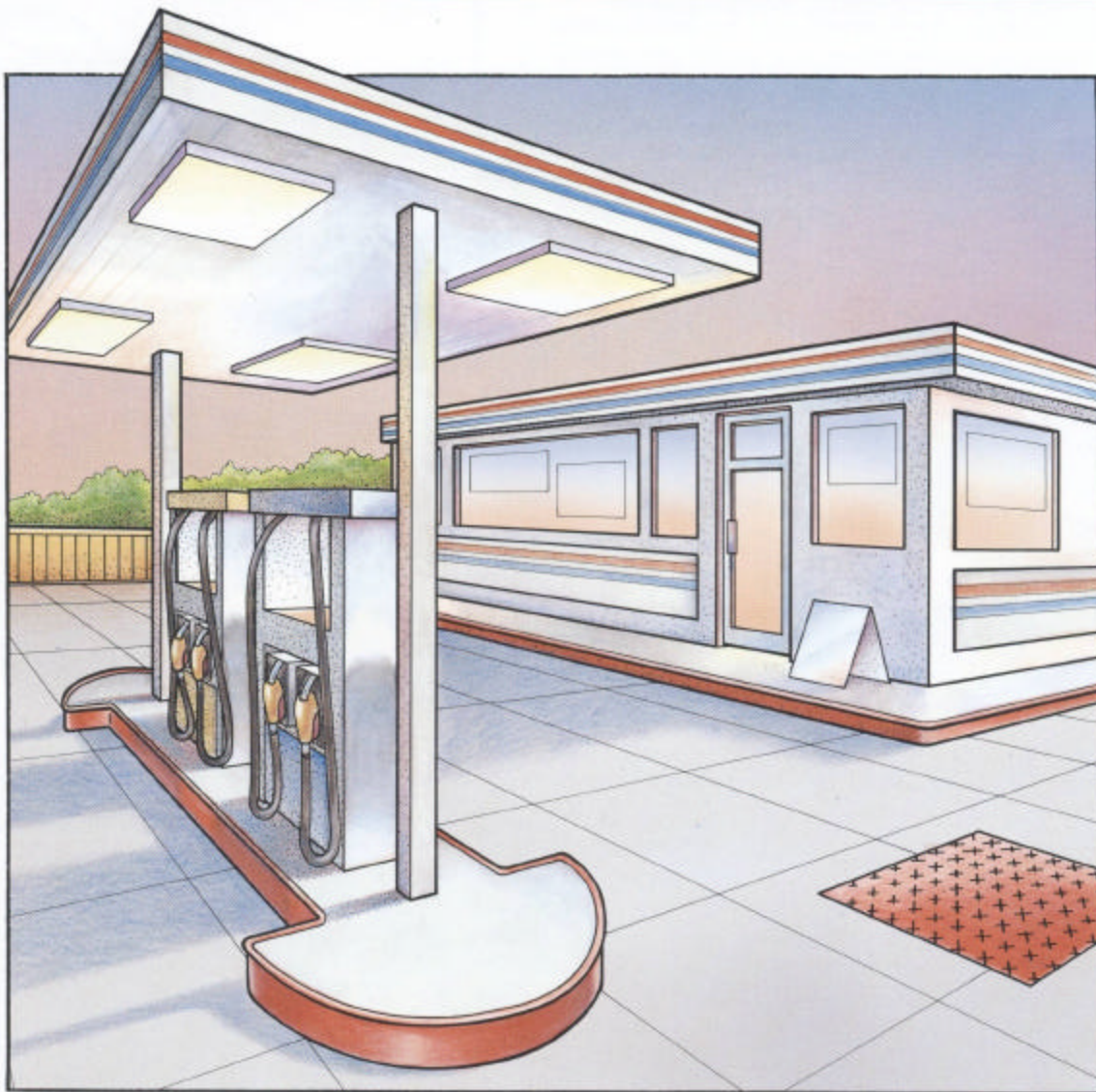
---

**DISPENSER MOUNTING BOXES**

---

**MANHOLES**

---



TOLL FREE from anywhere in the U.S.A. or Canada:

**1-800-521-5238**

24 HOUR FAX: 1-800-327-1925 WEB SITE: [www.riverside-steel.com](http://www.riverside-steel.com)

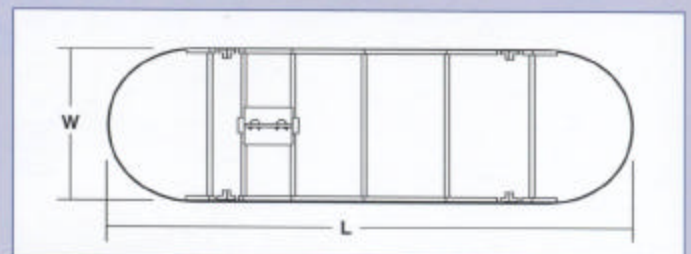
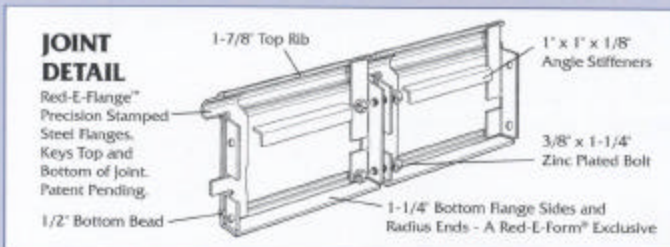
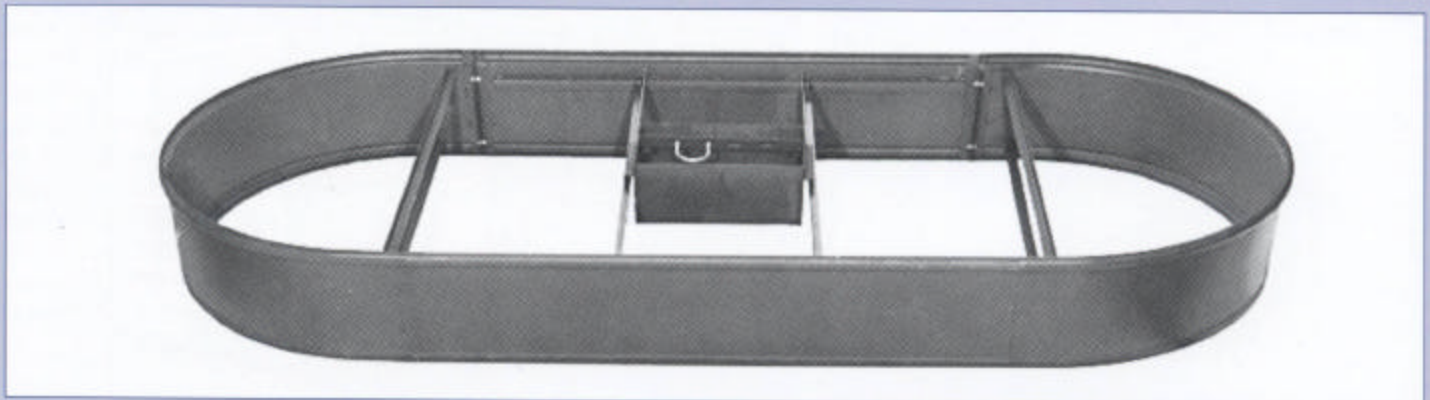
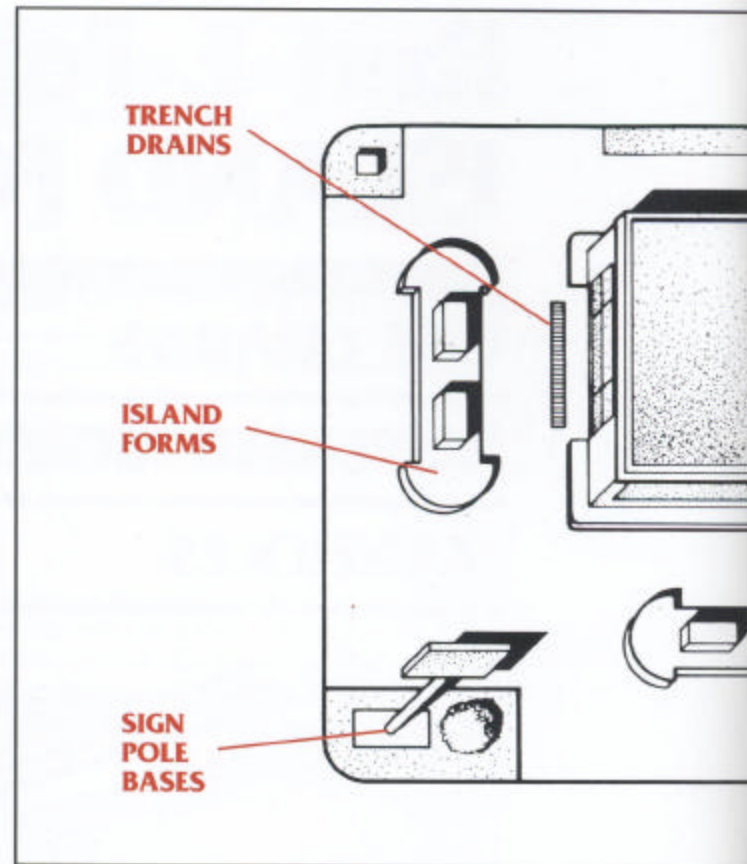
MEMBER  
**PEI**  
FORMS  
EQUIPMENT INC.

# Red-E-Form® – Riverside Makes it Right!

Whatever your need in prefabricated permanent steel forms – as small as an 18" pole base, as large as those used in most modern c-stores, or anything in between – Riverside Steel can produce it.

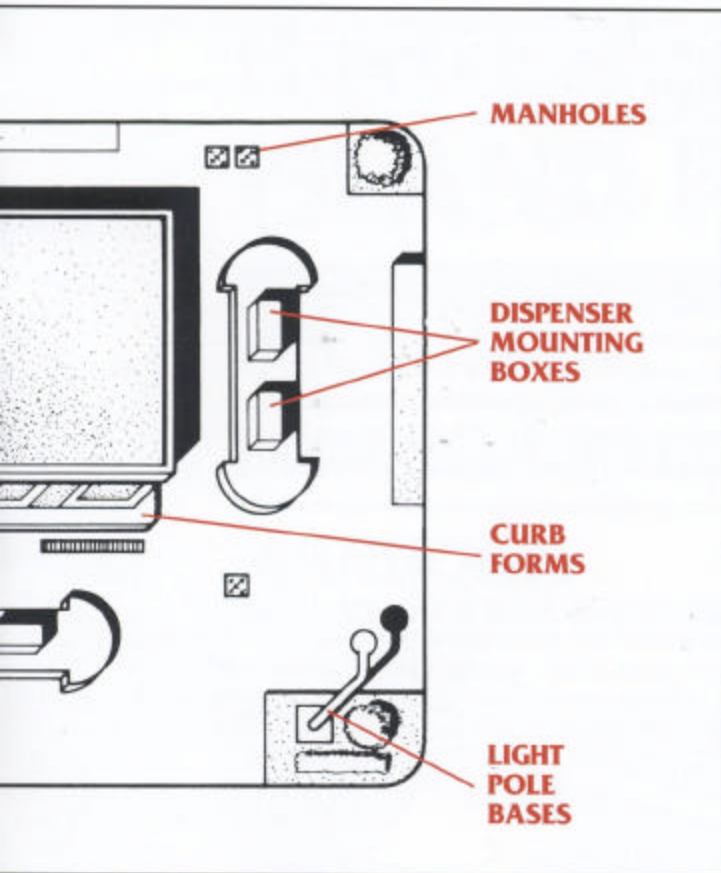
In more than 35 years in business, Riverside has gained a reputation for producing the highest quality forms in the industry. The combined knowledge of our managers, engineers and production staff allows us to offer design services, technical assistance, manufacturing expertise, and quality control to assure the best possible end product. We start with the proper design to meet your needs and work with the finest materials available. The result is a line of island forms, curbing systems, manholes and dispenser mounting boxes known for quality and precision.

**Riverside Steel –**  
Your source for a complete  
line of forms for the  
petroleum marketing industry.



**Permanent Steel Island Forms:** All Red-E-Form permanent steel island forms are fabricated from high quality 12 ga. steel. Sections are precision roll formed, providing unsurpassed dimensional accuracy and eliminating many installation problems often found in standard knocked-down forms. Standard 1-7/8" rolled top bead and 1-1/4" bottom return flange provide strength and accurate alignment. Double cross bracing and adjustable top braces allow

flexibility in locating mounting boxes, and provide for rigid placement during installation. End sections are radiused on state-of-the-art CNC equipment and include the same 1-1/4" bottom flange as the straight sections ... a Red-E-Form exclusive. All knocked-down sections are now supplied with the revolutionary **Red-E-Flange** stamped steel flange for the best fit in the industry. Forms are prime coated and supplied with the essential hardware for fast assembly.



## Precision Manufacturing

Riverside Steel's reputation for precision relies on unique production machinery, some custom-built to our specifications, others modified in-house to meet particular manufacturing requirements. CNC-controlled forming programs ensure precise tolerances.

Our operators and welders average 20 years of manufacturing experience with quality control being the Riverside watchword. We test the raw materials as they arrive at our plant; monitor the manufacturing process at every step; then thoroughly inspect the finished product – so that the product you receive is what you expect it to be. High-grade materials, precision fabricating and on-line quality control is our formula for the finest forms you can buy.

## Delivery Time

And consider our value-added advantage: Service. Our large raw material inventory, combined with a state-of-the-art manufacturing process, enables us to supply the forms you need *when* you need them. You get greater inventory flexibility without costly construction delays.

Delivery time, for standard off-the-shelf forms or custom designs, is just one week; emergency service can often be accomplished in 24 to 48 hours.



### A Variety of Sizes and Shapes:

**Red-E-Form** permanent steel island forms are available in a variety of standard sizes and styles. Standard heights are 9" and 13" and standard widths are 3', 4', and 5'. Lengths from 3' to 50' are standard, however any length may be ordered. Radiused ends are available in standard 6" radius, 12" radius, or full radius. All ends are supplied with removable bracing to go around existing columns. Raised bumpers can be added to any end and can be configured to meet the specifications of all major oil companies or any special job requirement.

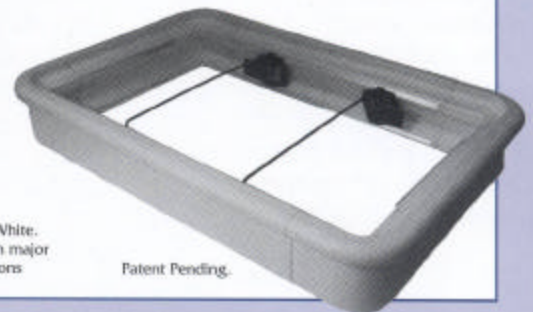
## NEW!

### PLASTIC ISLANDS

- Lighter
- Corrosion resistant
- Molded-in colors

**In Stock Colors**  
Grey, Black, Red, and White.  
Custom colors to match major oil company specifications

### EXACTA-FORM®

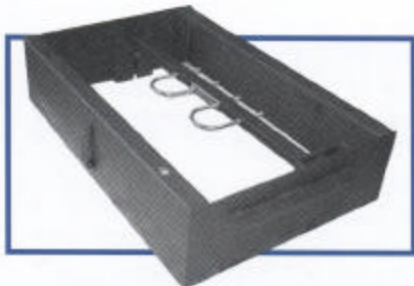


**Stainless Steel Forms** are available in all sizes and styles and are fabricated from 12 ga. 316L #4 polished stainless and are shipped with a PVC protective coating.

Also, now available for immediate delivery is the revolutionary **Exacta-Form® Plastic Island Form**.

For more complete listings, please refer to our Price List catalog.

**PUT US TO THE TEST** – Compare **Red-E-Form** islands to any other. You simply won't find a form that offers a better value, easier installation or more effective performance.



**Dispenser Mounting Boxes:** Red-E-Form® dispenser mounting boxes are available to fit dispensers from all major manufacturers including: BENNETT, GILBARCO, GASBOY, SCHLUMBERGER, TOKHEIM, UNIVERSAL EPSCO, and WAYNE. All boxes are engineered to allow for easy mechanical and electrical connections.



**Round and Square Manholes:** Red-E-Form® heavy duty round and square manholes are available in a wide variety of sizes, from 12" to 72". The boxes are fabricated from 12 ga. roll formed sections and have a 1" bottom flange for exceptional strength and stability during installation. H-20 rated lids are fabricated from Inland large pattern 4-way plate, and are reinforced with 1/4" x 2" A-36 structural bar. Covers are available with recessed handles, double or triple access, and bolt down watertight.



**Pipe Guards:** Red-E-Form® pipe guards are designed to provide maximum protection for valuable Island equipment and are available in several styles. Pipe guards are fabricated from one continuous piece of Sch. 40 pipe with 12' radius bends. Pipe is available in 3-1/2" OD or 4" OD, painted with one coat of metal primer. Stainless steel pipe guards are available in 3-1/2" OD with a 180 grit polished finish. 6" and 8" Sch. 40 straight pipe are also available.

## SERVICE: The Value Added

Riverside Steel's only product is forms, and our entire effort is directed to supplying you with the best forms for your individual needs.

The combined expertise of Riverside Steel's designers, engineers, manufacturing and technical staff helps to produce the petroleum equipment industry's highest quality forms.

Our products are designed and manufactured to the most rigid specifications; and our staff is readily available to consult in the development of forms to meet your specific needs and to help solve your specific requirements.

From the moment your order is placed to the time installation has been completed, Riverside Steel is ready to serve you.

To learn more about the benefits of Red-E-Form® permanent forms, contact: Riverside Steel, Inc., 3102 Warren-Sharon Road, Vienna, Ohio 44473



**Toll Free: 1-800-521-5238**

**Local: 330-856-5299**

**24 Hour Fax: 1-800-327-1925**

**Web Site: [www.riverside-steel.com](http://www.riverside-steel.com)**

**... WE DELIVER OUR QUALITY ON TIME!**

# Riverside Steel, Inc.

3102 Warren-Sharon Rd. / Vienna, Ohio 44473 / (330) 856-5299